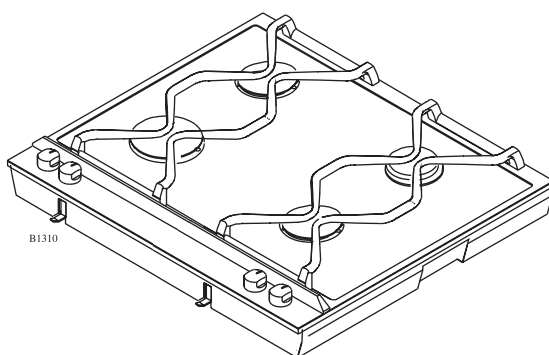


INSTRUCTION- AND INSTALLATION BOOK

GB

Gas hob



Your New Appliance

Thank you for purchasing an AEG appliance.

To enable you to use your new hob efficiently and safely, please read this instruction book carefully before installing or using the appliance, and retain for future reference. Should the hob be transferred to a new owner please ensure this instruction book is left with the appliance in order that the new owner can get to know the functions of the appliance and the relevant warnings.

If you require further assistance or advice, please contact our Customer Care Department either by letter or telephone:

Customer Care Department
AEG Domestic Appliances
55-77 High Street
Slough
SL1 1DZ

Tel: 08705 350350

Table of contents

Contents	Page no
-----------------	----------------

For the user

Your new appliance	2
Safety information	4
Description of the product	5
Operation instructions	6
Inner- and outer burner ring	7
Burner cover	7
Ignition electrode (A)	7
Thermo couple (B)	7
Ignition	8
Maintenance and cleaning	9
Splashguard	9
Stainless steel surfaces	10
The ceramic glass plate	10
The gas burner	11
Something not working	21
Service and spare parts	22
Guarantee conditions	23

For the installer

Technical data	12
Important safety requirements	13
Gas connection	14
Mounting	15

How to read the operating instructions:

1... 2...Step by step



Safety information

B1231



Hint and tips



Environmental information



Safety information

These warnings are provided in the interests of your safety. Ensure you fully understand them before installing or using the appliance. Your safety is of paramount importance. If you are unsure about the meaning of these warnings contact the Customer Care Department for assistance.

Installing

Do not install the hob if the ceramic glass is damaged or cracked.

This hob must be installed according to the instructions supplied. Any installation work must be undertaken by a qualified competent person.

Do not alter the specifications or attempt to modify the appliance in any way.

During Use

The hob is intended for domestic cooking only. It is not designed for commercial/industrial purposes.

Ensure that all the control knobs are in the OFF position when not in use.

Do not use the hob if it is damaged in any way, contact your local AEG Service Centre.

Never use plastic or aluminium dishes on the hob.

Never leave the hob unattended while deep fat frying, or heating fats and oils.

Child Safety

Young children must not be allowed to tamper with the hob or play with the controls.

The hob gets hot when it is in use. Children should be kept away until the hob has cooled.

Maintenance and Cleaning

Only clean this hob in accordance with the instructions given in this book.

Service

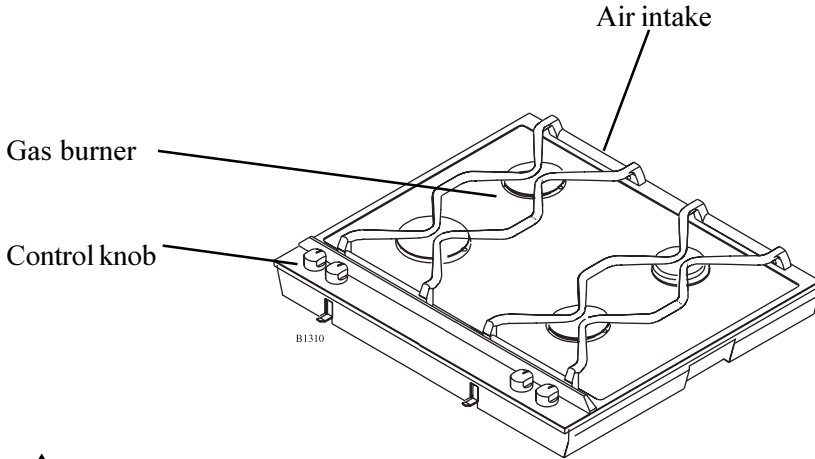
Repairs carried out by inexperienced persons may cause injury or serious malfunction of the appliance. Repairs must only be carried out by a qualified/competent person. Contact your local AEG Service Centre.

Disposal

Make the hob unusable by cutting off the cable.

Dispose of any packaging material and old appliances at an authorised disposal site.

Description of the product



Air intake

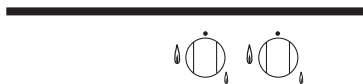
The primary air intake aperture must never be blocked by objects of any kind at any time.

3569

Operation intructions

Burner markings

Symbols at each operating knob indicate which burner is adjusted with the control knobs.



Left front burner



Left back burner



Right back burner



Right front burner



Panel markings

Each operating knob has a ring showing the scale of markings.

Off.



Maximum flame



Minimum flame

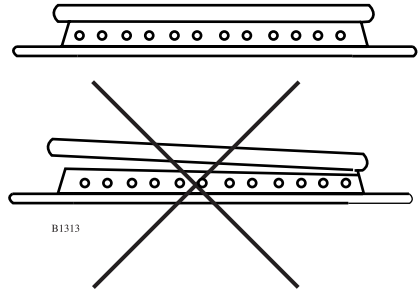


Burner cover/inner burner ring/outer burner ring

Together with the inner burner ring the outer burner ring forms a space where the final mixture of gas and air takes place in order for the gas burn correctly.

Please note: It is very important that the inner burner ring/outer burner ring is placed correctly, together with the cover. See installation of the wok burner.

If the burner cover/rings are incorrectly fitted the burner will not operate correctly, and the burner may be damaged within a short space of time. It is also important, that the inner air ring is placed correctly.



Ignition electrode (A)

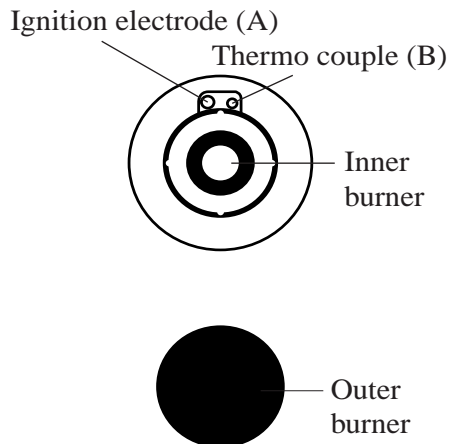
The burner has been provided with an ignition electrode. As long as the operating knob is depressed, the automatic ignition will ensure that a spark is emitted between the ignition electrode and the burner cover.

Thermo couple (B)

The gas unit features fully-secured gas taps (thermo-couple)

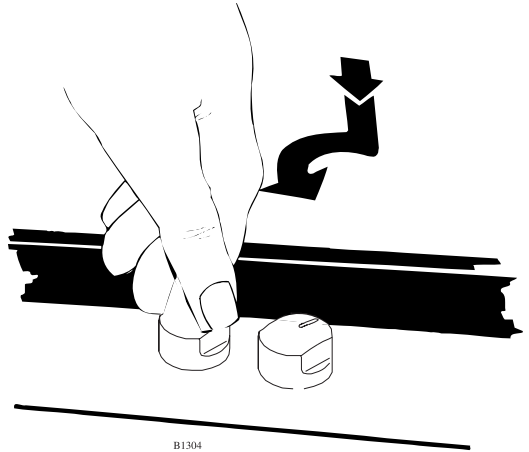
In case the flame goes out, the thermo couple automatically prevents gas admission after a few seconds (Max. 90 seconds).

Note: Gas will flow while the operation button is pressed - See start-up procedure.



Ignition

1. Depress and turn the control knob for the burner to the left to max. flame 🔥 . (Ignition position)
2. The ignition electrode will emit sparks, and when the mixture of gas and air is correct, the burner will be ignited. If it is not possible to connect the unit to mains, a match may be used to ignite the burner.
3. After starting the burner, press the control knob for approx. 10 seconds to activate the automatic thermo-couple (thermo sensor ready).
5. The burner can now be regulated between maximum 🔥 and minimum 🔥



Maintenance and cleaning



For reasons of hygiene and safety, the cooking zones must be kept clean. Grease stains and spilled food generate smoke when heated, and can even cause fire.

Splashguard

The splashguard can be removed to make it easier to clean the surface.

What to do:

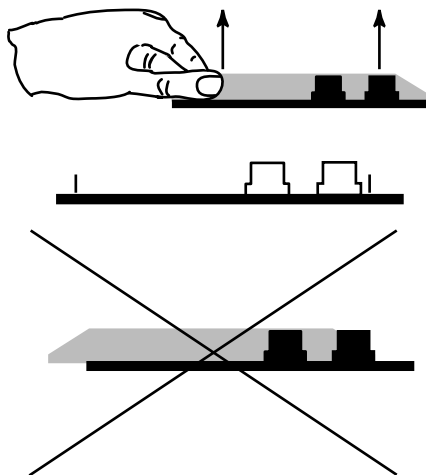
1. Hold the splashguard as shown in the diagram.
2. Lift the splashguard straight up
3. Clean the top surface as described in “cleaning the steel surface”.
Be aware of the two retaining pegs, which are sharp.
4. Replace the splashguard in position ENSURE that it is fitted the correct way round.



Never use hard or sharp implements to lift off the splashguard.

Do not wash the splashguard in a dishwasher.

The hob must not be used with the splashguard off.



Stainless steel surfaces

Perform daily cleaning with a slightly damp cloth. For more severe soiling, use a liquid cream. Always clean the steel in the direction of the steel finish. To ensure that the steel retains its shine, it is recommended that you use a polishing agent for stainless steel on a regular basis. Always polish in the direction of the steel finish (cross-wise).

Never use steel wool, metal sponges or other abrasive cleaning agents.

The ceramic glass

Immediately scrape off stains caused by food which has boiled over, spilled sugar, dishes containing sugar (jam, juice, etc.), melted plastic and aluminium foil while the ceramic glass is still hot. If the ceramic glass is allowed to cool it may become damaged.

After use the ceramic glass should be wiped with a damp cloth with washing up liquid. For severe soiling you can follow these steps:

1. Remove stains etc., with the ceramic glass scraper.
2. Make sure that the hob has cooled down. Use a ceramic cleaning agent such as vitrocLEN. Shake the bottle and apply a couple of squirts to the ceramic hob.

3. Wipe the ceramic hob clean with a damp cloth or kitchen towel. Tough stains can be removed by rubbing the stain hard with kitchen towel.
4. Wipe off remaining cleaning agent with a damp cloth.
5. Wipe with a dry cloth, if required.

Make sure that the ceramic glass is dry when you heat it up again. Ceramic glass can develop rainbow-like stripes if heated while damp.

Spillages must be removed immediately, while the burner is still warm, using a ceramic glass scraper. Especially damaging are melted plastic, aluminium, or any foodstuff containing sugar, including natural sugar, as these can create permanent “pockmarks” and craters on the ceramic surface. After cleaning, polish thoroughly with the cleaning agent supplied with the unit.

Defects in the ceramic surface which can be related to the above are not covered by the warranty.

Warning:

Aluminium foil and plastic utensils should not to be placed on hot surfaces.

The surface should not be used for storage.

The gas burner

The operating panel with knob, pan support and burner covers/rings are to be cleaned with ordinary cleaning agents.

Do not use any kind of scouring powder.

Avoid saucepans boiling over. If water gets into the burner, this should be removed before re-igniting the burner, e.g. with a no-fluff cloth.

Technical data

Type of gas

Adjusted to natural gas: G20-20 mbar

Category and pressures

UK: II₂H3+ 20 mbar - 28/37 mbar

Max. nominal load Q na H_s:

Small sized burner= 1,1 kW x 1

Medium sized burner = 1,9 kW x 2

Large sized burner = 2,7 kW x 1

Total= 7,6 kW

FSD

The unit features fully-secured gas taps (thermo-fuse).

H_s = Top calorific value

Q = Nominal load

ID. CE-048AU-0003

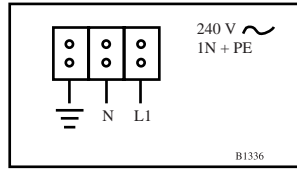
Ignition transformer= 50 HZ - 0,6 VA

Radio-noise reduction

This unit observes the current EEC-directive on radio noise reduction.

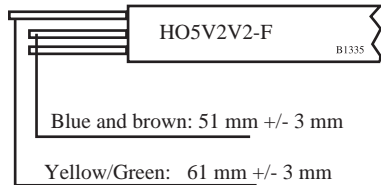
This gas appliance is **CE**-approved and **CE** marked in accordance with the gas appliance Directive (90/396/CEE), the low voltage directive (73/23/CEE) and the EMC directive (89/336/CEE incl. the agreed directive changes.

Cable type: 0,75 mm² HO5 V2V2-F



The hob must be connected via an external switch with a contact gap of min. 3 mm (the main switch may be used)

Wiring



Important safety requirements

This hob must be installed in accordance with the Gas Safety (Installation and Use) Regulations (Current Edition) and the IEE Wiring Regulations (Current Edition).

Detailed recommendations are contained in the following British Standards Codes Of Practice: B.S. 6172/ B.S. 5440, Par. 2 and B.S. 6891 Current Editions.

The hob should not be installed in a bed sitting room with a volume of less than 20 m³. If it is installed in a room of volume less than 5 m³ an air vent of effective area of 110 cm² is required. If it is installed in a room of volume between 5 m³ and 10 m³ an air vent of effective area of 50 cm² is required, while if the volume exceeds 11 m³ no air vent is required.

However, if the room has a door which opens directly to the outside no air vent is required even if the volume is between 5 m³ and 11 m³.

If there are other fuel burning appliances in the same room, B.S. 5440 Part 2 Current Edition, should be consulted to determine the requisite air vent requirements.



This hob must be installed by qualified personnel to the relevant British Standards.

Any gas installation must be carried out by a CORGI registered installer.

The manufacturer will not accept liability, should the above instructions or any of the other safety instructions incorporated in this book be ignored

Gas connection

Connection to the gas supply should be with either rigid or semi-rigid pipe, i.e. steel or copper.

The connection should be suitable for connection to RC ½ (½ BSP male conical thread).

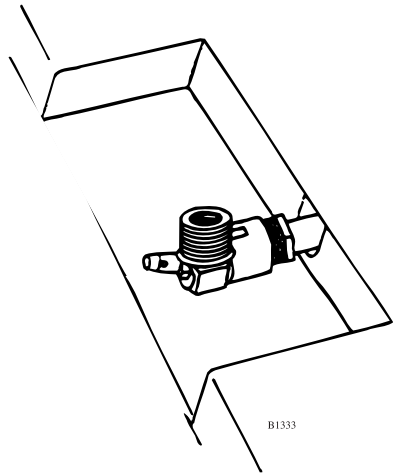
When the final connection has been made, it is essential that a thorough leak test is carried out on the hob and installation.

Ensure that the main connection pipe does not exert any strain on the hob.



It is important to install the elbow correctly, with the shoulder on the end of the thread, fitted to the hob connection pipe.

Failure to ensure to correct assembly will cause leakage of gas.



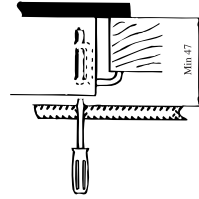
Pressure test

The unit should be pressure-tested at Max. 150 mbar.

Mounting

Caution: In order to avoid a hazard this appliance must be installed according to these instructions for installation

The hob unit can be mounted in any type of kitchen with a table surface whose thickness is between 28 mm and 40 mm.



Headroom

The distance to any shelves or tops of a cabinet under the hob is to be at least 47 mm.

Fixing

Screw the fixing brackets out to such an extent that they can be turned in under the table top. Tighten the brackets on to the table top with an ordinary screwdriver.

Cut-out measurements

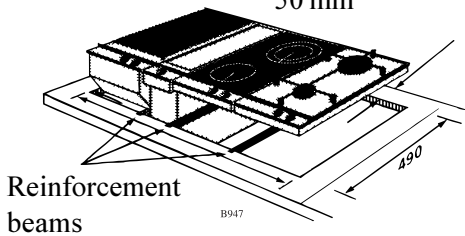
One rectangular hole is sawn out for the hob combination chosen.

The depth of the cut-out for any unit is: 490 mm

Length of hole = sum of all units' externally measured length, less 20 mm.

Minimum distance to side wall: 150 mm

Minimum distance to rear wall (non-flammable material): 50 mm



Mounting of Reinforcement Beams

A reinforcement Beam, with supporting flanges at each end, is included with each two-burner unit. For unit combinations, a reinforcement beam must be used between each unit.

It is not necessary to attach the reinforcement beam to the table surface, as it is held in place by a specially designed moulding, which is incorporated in the hob units flanges.

Installation in work tops with a base unit underneath

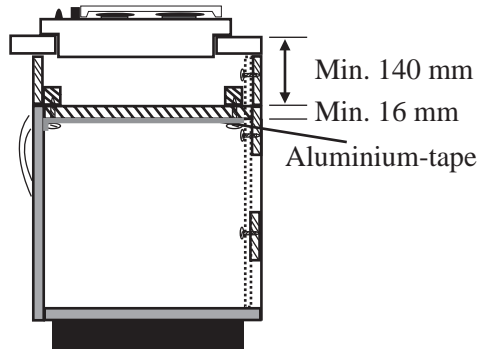
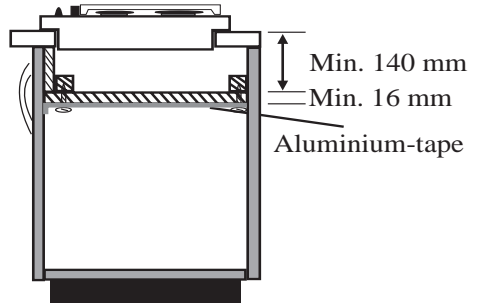
If the hob is to be installed on top of a base unit, a board must be mounted underneath the hob (e.g. 16 mm chip board).

Seal all joints with aluminium tape. The board can be mounted as shown in the diagram.

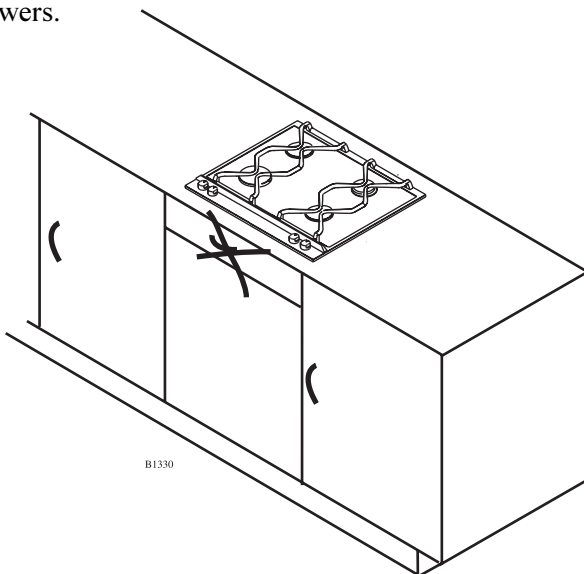
This installation method prevents the flames from being extinguished if you close the door of the base unit hard.

If the back panel of the cupboard unit is of thin 4 mm material, it will need to be reinforced.

This procedure will prevent the gas being blown out if the cupboard door is slammed shut.



Do not install the hob above drawers.



B1330

Do not install the hob above drawers.

Combined installation with oven

If the oven is placed directly under the dropinette a metal plate must be installed in between. The metal plate is included in the installation kit intended for this combination. The kit, product number 949 600 970, can be ordered from your kitchen appliance dealer.

i This gas hob can be combined with AEG Competence ovens with a maximum power of **3,7 kW**.

The unit's externally measured length

145 mm:

Cooker hood

290 mm:

Two-zone ceramic-top electric hob

Two-burner gas hob

Grill

Fryer

Wok

580 mm:

Four-zone ceramic-top electric hob

Four-burner gas hob

725 mm:

Four-zone ceramic-top electric hob

Gas installation

In accordance with local requirements for domestic gas cooking appliances.

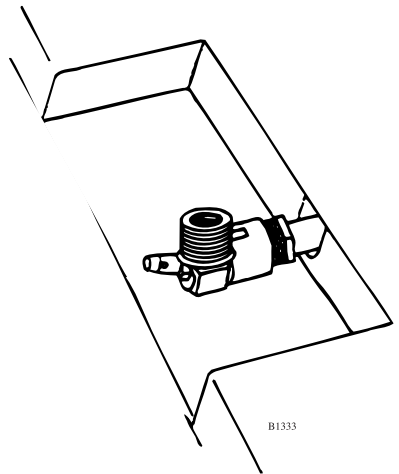
Gas installation must only be carried out by an authorised person. For gas types see technical data.

Gas connection

The gas intake is situated at the lower rear of the appliance. The intake has a ½" conical pipe thread (see fig 1) If the appliance is to be connected to a gas cylinder, conversion with the optional modification kit will be necessary.

Pressure test

The unit should be pressure-tested at Max. 150 mbar.



Something not working

If the hob is not working correctly, please carry out the following checks before contacting your local AEG Service Force Centre.

IMPORTANT: If you call out an engineer to a fault caused by incorrect use or installation, a charge will be made even if the hob is under guarantee.

Symptom:	Solution
There is no spark when lighting the gas	Check hob is connected to the electricity supply. Check the fuse and replace if necessary.
When the operating knob is released the gas ring goes out again	The operating knob has not been depressed long enough, or has not been depressed sufficiently.
The gas ring burns unevenly	Ensure the cover has been replaced correctly, e.g. after cleaning.

If after all these checks, your hob still does not operate correctly, contact your local AEG Service Force Centre.

In-guarantee customers should ensure that the above checks have been made as the engineer will make a charge if the fault is not a mechanical or electrical breakdown.

Please note that it will be necessary to provide proof of purchase for any in-guarantee service calls.

Service & spare parts

In the event of your appliance requiring service, or if you wish to purchase spare parts, contact your local AEG Service Force Centre by telephoning:

08705 929 929

Your call will automatically be routed to the Service Centre covering your post code area.

In-guarantee customers should ensure that the recommended checks under the heading "Something Not Working" have been made as the engineer will make a charge if the fault is not a mechanical or electrical breakdown.

Please note that proof of purchase is required for in-guarantee service calls.

Help us to help you

Please determine your type of enquiry before writing or telephoning. When you contact us we need to know:

1. Your name, address, post code and telephone number
2. Clear and concise details of the fault.
3. Date of purchase
4. The model and serial number

This information can be found on the rating plate.

Customer Care

For general enquiries concerning your AEG appliance, or for further information on AEG products, you are invited to contact our Customer Care Department by letter or telephone:

Customer Care Department
AEG Domestic Appliances
55-77 High Street
Slough, Berkshire
SL1 1DZ
Tel 08705 350350

Guarantee conditions

AEG offer the following guarantee to the first purchaser of this appliance:

1. The guarantee is valid for 12 months commencing when the appliance is handed over to the first retail purchaser, which must be verified by purchase invoice or similar documentation.
2. The guarantee covers all parts or components which fail due to faulty workmanship or faulty material. The guarantee does not cover appliances where defects or poor performance are due to misuse, accidental damage, neglect, faulty installation, unauthorised modification or attempted repair, commercial use or failure to observe requirements and recommendations set out in the instruction book.
3. Should guarantee repairs be necessary the purchaser must inform the nearest AEG Service Force Centre. AEG reserves the right to stipulate the place of repair (i.e., the customer's home, place of installation or AEG workshop).
4. The guarantee or free replacement includes both labour and materials.
5. Repairs carried out under guarantee do not extend the guarantee period for the appliance. Parts removed during guarantee repairs become the property of AEG.

6. The purchaser's statutory rights are not affected by this guarantee.

European guarantee

If you should move to another country within Europe then your guarantee moves with you to your new home subject to the following qualifications:

The guarantee starts from the date you first purchased your product.

The guarantee is for the same period and to the same extent for labour and parts as exists in the new country of use for this brand or range of products.

This guarantee relates to you and cannot be transferred to another user.

The product is installed and used in accordance with our instructions and is only used domestically, i.e. a normal household.

The product is installed taking into account regulations in your new country.

Before you move please contact your nearest Customer Care centre, listed below, to give them details of your new home. They will then ensure that the local service organisation is aware of your move and able to look after you and your appliances.

France

Senlis +33 (0) 44 62 29 29

Germany

Nürnberg +49 (0) 911 323 2600

Italy

Pordenone +39 (0) 1678 47053

Sweden

Stockholm +46 (0) 8 738 79 10

UK

Slough + 44 (0) 1753 219899

